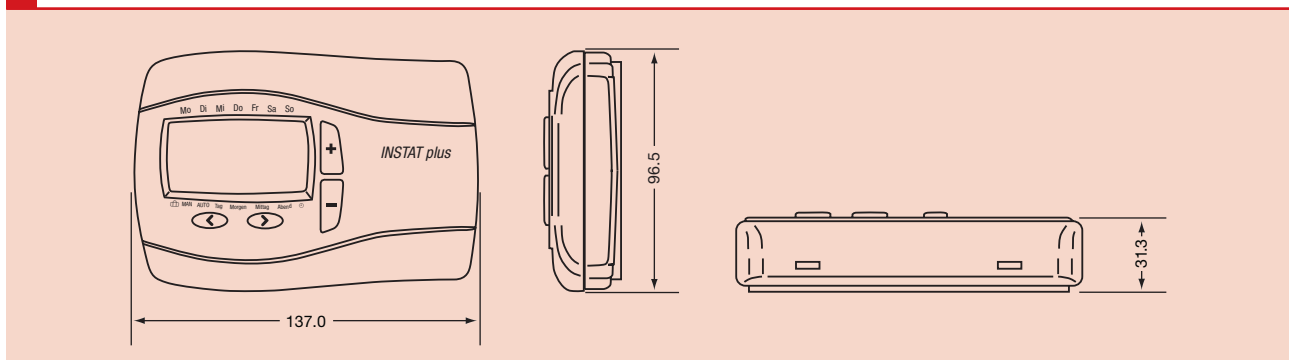


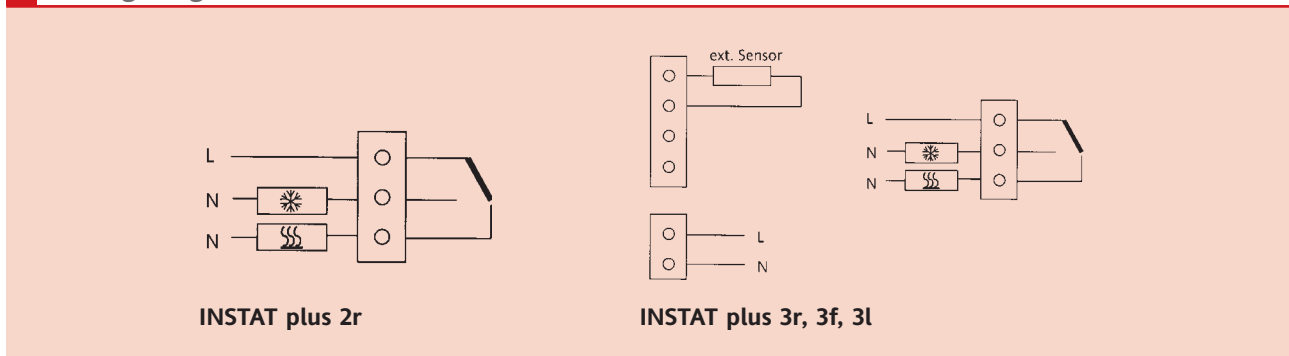
Technical data

Supply voltage	Line Battery	230 V AC (193...253 V) 50 Hz 2 x 1.5 V (AA), battery life approx. 3 years
Output		Relay 1 changeover contact
Switching current	Line/battery	Max. 16 (4) A
Power reserve	Line/battery	≥ 3 years
Control mode		Proportional controller (similar to continuous through PWM) PWM cycle time 10 or 25 min.
Remote sensor		F193 720, length 4 m, can be extended to 50 m or F 190 021 in surface-mounting casing 30 % heating in the event of sensor failure (sensor monitoring)
Connection		Via terminal screws

Dimensions



Wiring diagram

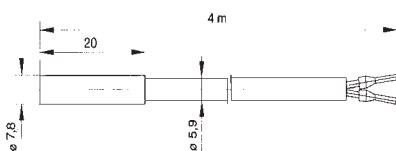


Remote sensors

F 193 720



Dimensions:



F 190 021



EBERLE

Eberle Controls GmbH

Klingenhofstraße 71 · D-90411 Nürnberg · T +49(0)911 56 93 0 · F +49(0)911 56 93 536 · E-Mail: info.eberle@invensys.com · www.eberle.de

INSTAT plus Next generation clock thermostats

*Room temperature controllers
Floor temperature controllers
Floor temperature limiters*



HEATING



New
Automatic pre-set clock

Flexible features for individual lifestyles

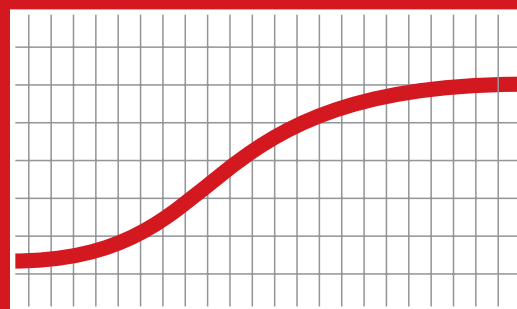
Features:

- Selectable option function for holidays or parties (temperature reduction or increase for hours or days)
- Programs easily adjusted:
 - All days the same
 - Workdays/holidays
 - Every day individually
- Adjustable number of switching times (2, 4, 6)
- Access protection
- Temperature display adjustable to personal requirements
- Clock can be set to different time zones (± 5 hours)
- Upper and lower limit values for temperature setting
- Direct or reverse action for heating/cooling
- Frost protection
- Floor temperature can be displayed as a number
- Restricted access for important settings
- Can be easily adjusted to individual requirements
- Latest technology ensures that all settings will not be lost



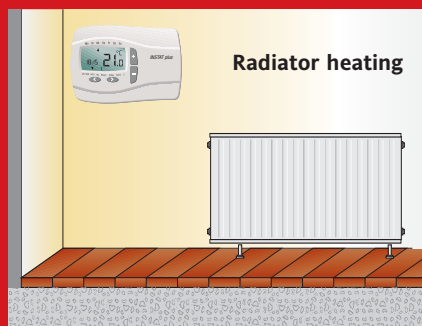
Save energy through self-teaching heating curve

The microprocessor-based INSTAT Plus controller "learns" by itself how long the preheat time should be to achieve the required temperature. Particularly during spring and autumn, this intelligent function provides massive savings in heating energy and helps to relieve the strain on the environment through reduced CO₂ emissions.



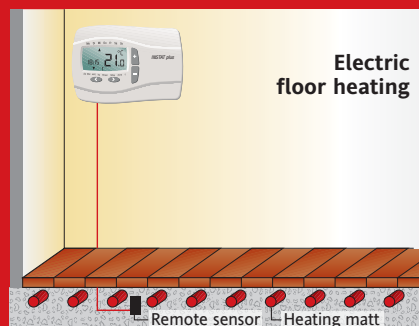
Possible applications

As room temperature controllers



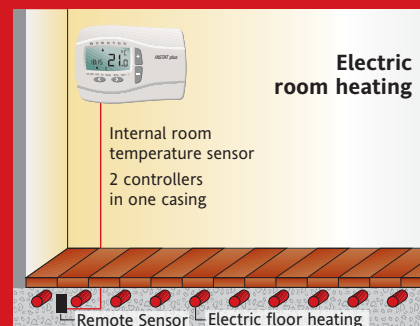
For controlling the room temperature (with optional remote sensor for measuring the room temperature)

As floor heating controller



For controlling the floor temperature in electric floor heating systems, e. g. in bathrooms (with remote sensor)

As room controllers with floor temperature limiter



For controlling the room temperature and limiting the floor temperature to an adjustable maximum value (with remote sensor) for electric floor heating (direct heating)

Versions for all applications

The perfect combination of flexibility and comfort

- Easy, intuitive operation
- Fully-automatic adjustment of time and summer/winter time change over
- Self-teaching heating curve (optimum start; the preset temperature is reached at the preset time)
- Large, clear display
- Preset standard programs
- Innovative design
- Versions for battery or mains supply
- Switching current up to 16 A
- Valve protection (can be deactivated)

Variations

Characteristics INSTAT Plus...	...3r	...3f	...3l	...2r
Room temperature controller Temperature 7...32 °C	■			■
Underfloor heating controller Temperature 10...50 °C		■		
Limiter Temperature Room 7...32 °C Floor 10...50 °C			■	
Valve protection	■ (disconnectible)			■ (disconnectible)
Mains/battery (M/B)	M	M	M	B
Article no.	0537 20 141 900	0537 30 141 900	0537 30 141 900	0537 10 291 900

